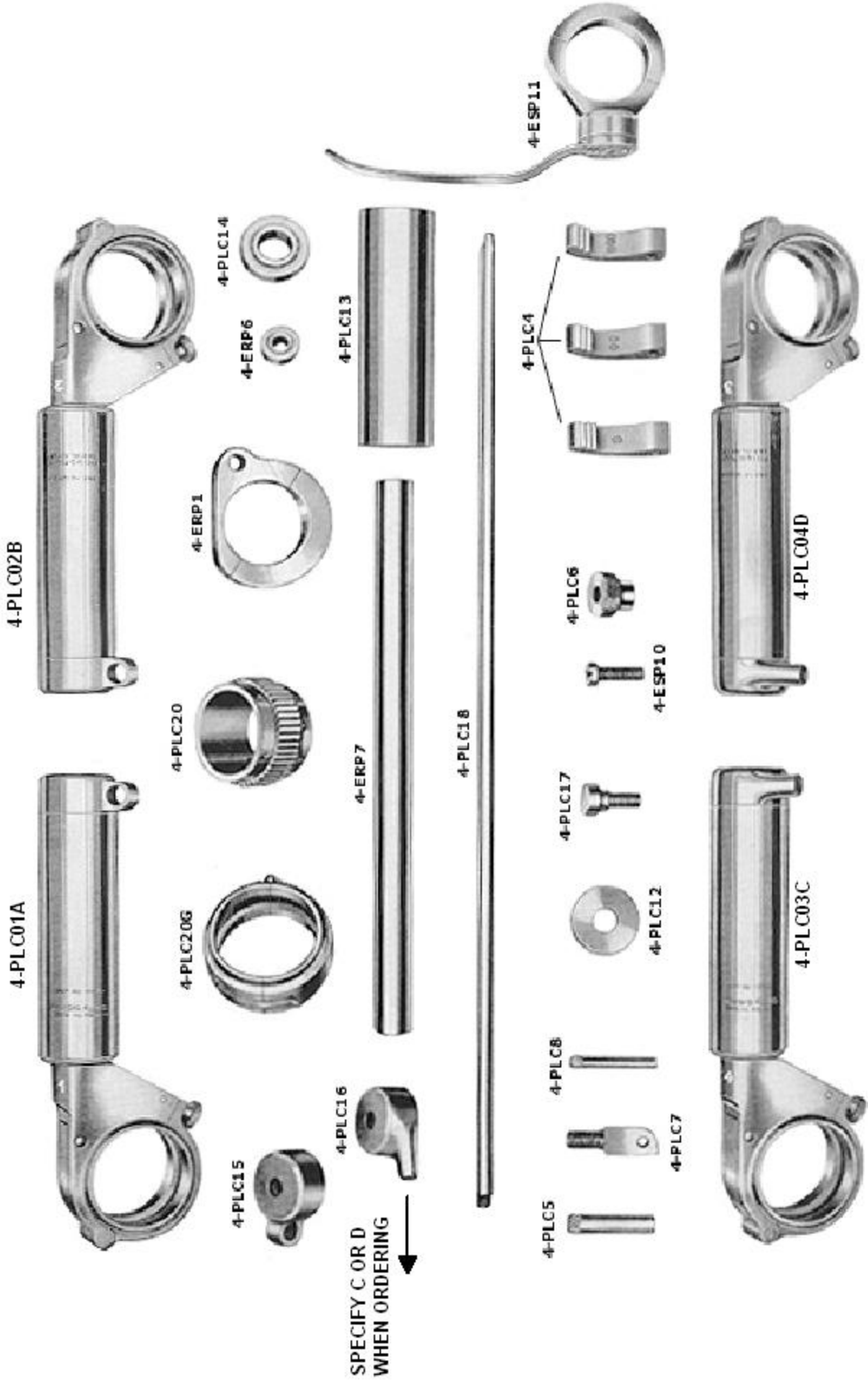
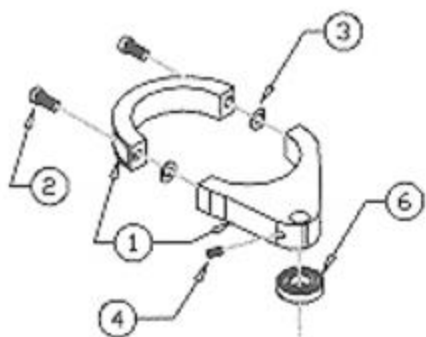


Lowering device casket placer



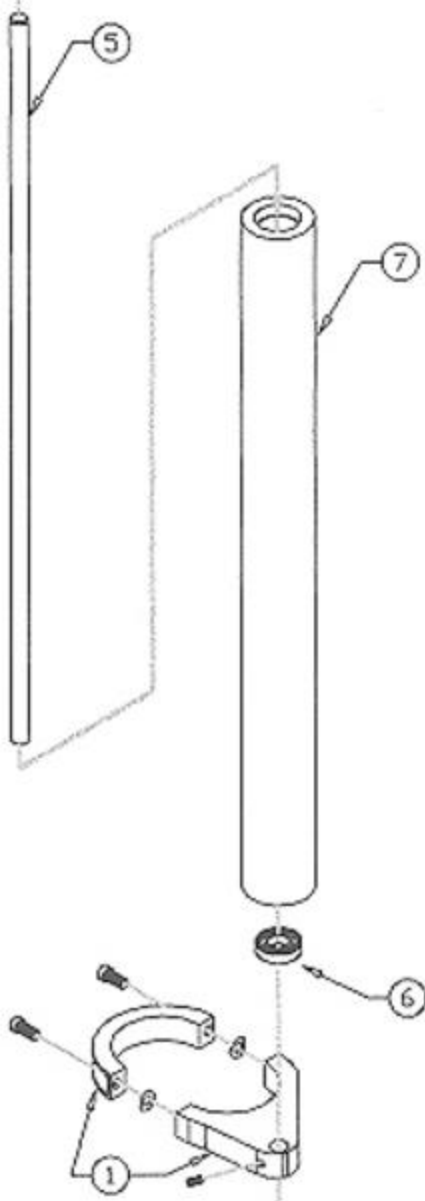


1. END ROLLER CLAMP
2. SCREW FOR END ROLLER CLAMP
3. FIBER WASHERS FOR CLAMP SCREWS (2)
4. SOCKET SET SCREW FOR SHAFT
5. END ROLLER SHAFT
6. END ROLLER BEARING
7. RUBBER COVERED ROLLER

- 4-ERP1
- 4-ERP2
- 4-ERP3
- 4-ERP4
- 4-ERP5
- 4-ERP6
- 4-ERP7

COMPLETE END ROLLER

4-ERP8



C O S T E R P I C C E R O L L E R

Casket placer end stop

- | | |
|---------------------------------------|---------|
| 1. END STOP CLAMP | 4-ESP1 |
| 2. SCREW FOR END STOP CLAMP | 4-ESP2 |
| 3. FIBER WASHERS FOR CLAMP SCREWS (2) | 4-ESP3 |
| 4. END STOP LUG | 4-ESP4 |
| 5. END STOP LUG SCREWS (2) | 4-ESP5 |
| 6. END STOP LUG SOCKET SET SCREW (2) | 4-ESP6 |
| 7. END STOP LUG SPRINGS | 4-ESP7 |
| 8. END STOP LUG BALLS (2) | 4-ESP8 |
| 9. END STOP FINGER | 4-ESP9 |
| 10. END STOP FINGER SCREW | 4-ESP10 |
| END STOP COMPLETE | 4-ESP11 |

