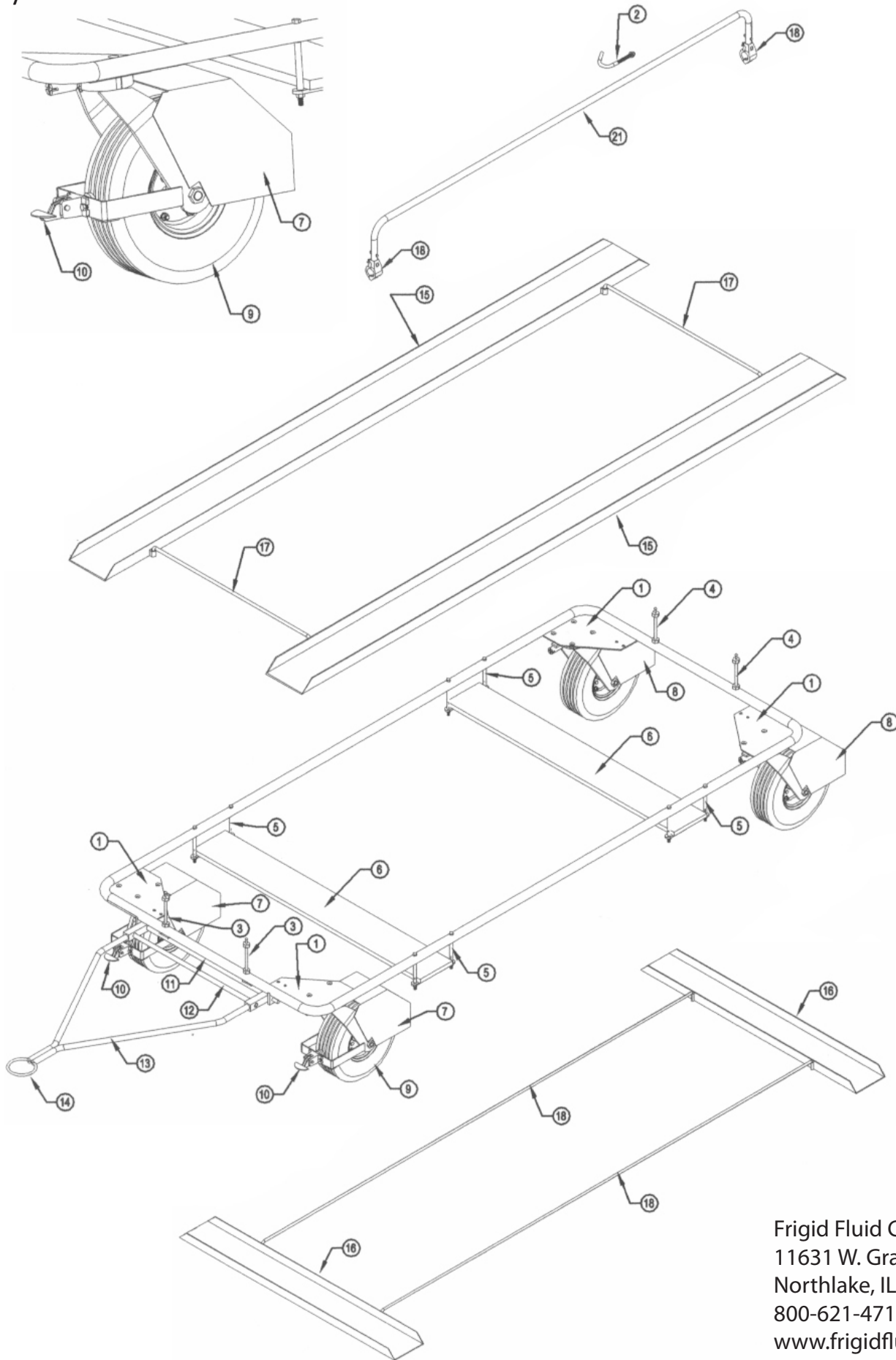




Cemetery Product Division

# Frigid Streamliner Mobile Stand & Casket Carriage



Frigid Fluid Co.  
11631 W. Grand Ave.  
Northlake, IL 60164  
800-621-4719  
[www.frigidfluidco.com](http://www.frigidfluidco.com)

## Frigid Streamliner Mobile Stand & Casket Carriage

Diagram #	Part Number	Description
1	4-STRM20	Cotton duck corner pads - each
2	4-STRM21	Hook to fasten down device
3	4-STRM22	Front drape support complete - each
4	4-STRM23	Rear drape support complete - each
5	4-STRM24	Safety board support complete - each
6	4-STRM25	Safety board - each
7	4-STRMCB	Caster complete with brake
8	4-STRMC	Caster complete without brake - each
9	4-STRMW	Wheel complete with tire, bearing, axle, washers, nuts
10	4-STRMB	Brake Assembly
11	4-STRM26	Compression spring 11 in. long
12	4-STRM27	Steel spring rod - each
13	4-STRM28	Tow bar complete
14	4-STRM29	Tow bar ring
15	4-STRM10	Long channel - pair
16	4-STRM11	Short channel - pair
17	4-STRM10SB	Support bars - set of 2
18	4-STRM10LSB	Long support bars - set of 2
19	4-STRM15	Clamp for side rail
21	4-STRM17	Complete side rail - new style